

90/120W

□ 90mm

電機特性

List of motor characteristics



電機型號 Motor model	規格 Specs	輸出功率 Output Power W	電源電壓 Voltage V	頻率 Frequency Hz	電流 Current A	起動扭矩 Starting Torque		額定扭矩 Rated Torque		額定轉速 Rated Revolution r/min	電容容量/耐壓 Capacity/Ve μF/VAC
						mN.m	gf.cm	mN.m	gf.cm		
5IK90GU-CF 5IK90A-CF	感應 Induction	90	單相 1-phase 220	50	0.62	837	8370	670	6700	1350	5/450
60				0.60	692	6920	554	5540	1550	5/450	
5RK90GU-CF 5RK90A-CF	可逆 Reversible			50	0.68	837	8370	670	6700	1350	6/450
60				0.72	692	6920	554	5540	1550	6/450	
5IK90GU-AF 5IK90A-AF	感應 Induction	90	單相 1-phase 110	50	1.25	837	8370	670	6700	1350	20/250
60				1.2	692	6920	554	5540	1550	18/250	
5RK90GU-AF 5RK90A-AF	可逆 Reversible			50	1.38	837	8370	670	6700	1350	24/250
60				1.5	692	6920	554	5540	1550	24/250	
5IK90GU-UF 5IK90A-UF	—	90	三相 3-phase 380	50	0.32	837	8370	670	6700	1350	—
60				0.3	692	6920	554	5540	1500	—	
5RK90GU-SF 5RK90A-SF	—	90	三相 3-phase 220	50	0.55	837	8370	670	6700	1350	—
60				0.48	692	6920	554	5540	1500	—	
5IK120GU-CF 5IK120A-CF	感應 Induction	120	單相 1-phase 220	50	0.85	1137	11370	910	9100	1350	6/450
60				0.82	955	9550	764	7640	1500	6/450	
5RK120GU-CF 5RK120A-CF	可逆 Reversible			50	0.95	1137	11370	910	9100	1350	8/450
60				1.0	955	9550	764	7640	1500	8/450	
5IK120GU-AF 5IK120A-AF	感應 Induction	120	單相 1-phase 110	50	1.7	1137	11370	910	9100	1350	24/250
60				1.65	955	9550	764	7640	1500	24/250	
5RK120GU-AF 5RK120A-AF	可逆 Reversible			50	1.9	1137	11370	910	9100	1350	30/250
60				2.1	955	9550	764	7640	1500	30/250	
5RK120GU-UF 5RK120A-UF	—	120	三相 3-phase 380	50	0.34	1137	11370	910	9100	1350	—
60				0.31	955	9550	764	7640	1500	—	
5RK120GU-SF 5RK120A-SF	—	120	三相 3-phase 220	50	0.59	1137	11370	910	9100	1350	—
60				0.54	955	9550	764	7640	1500	—	

- 上表參數是指電機單體，不附加任何負荷裝置。
- 電機額定轉速、額定電流允許在 ±5% 範圍內變動。

- Parameters in above table refer to motor alone, without any load device.
- Permissible change in rated speed and rated current of the motor is within the range of ±5%.

減速電機允許負載

Allowable load for the gear motor

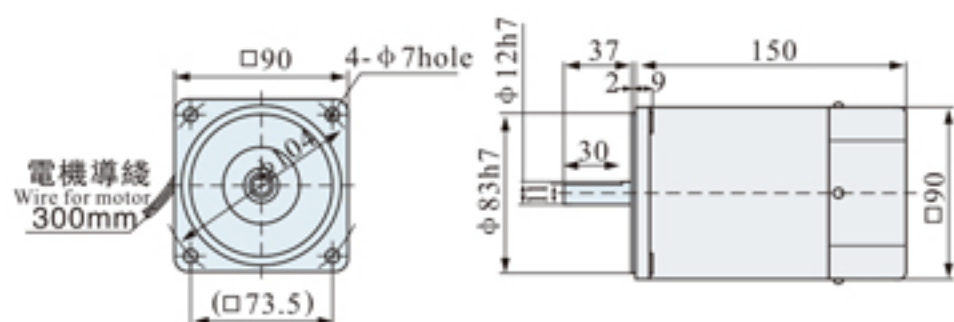
減速參數 Geared-down parameter	同步轉速 r/mn Synchronous speed		500	300	250	200	150	120	100	75	60	50	45	37.5	30	25	20	15	12.5	10	8	7.5	6	5	3
	減速比 i ratio		3	5	6	7.5	10	12.5	15	20	25	30	36	40	50	60	75	100	120	150	180	200	250	300	500
最大允許負載 Max allowable load	90W	kg.cm	15.7	26.5	31.5	39.4	52.5	65.7	71	94.6	118	141	170	189	200										
		N.m	1.54	2.6	3.1	3.86	5.15	6.44	6.96	9.28	11.6	13.9	16.7	18.5	19.6										
	120W	kg.cm	21.5	36	42	54	70	87.57	98	126	148	189	200												
		N.m	2.11	3.52	4.13	5.28	6.88	8.59	9.6	12.4	14.5	18.5	19.6												

- 轉速是以電動機的同步轉速為基準除以減速比而算出的數值。實際轉速將隨負載大小變化而比所示數值減少 2~15% 左右。
- 希望以大于上表的減速比進一步減速時，可在電動機與減速機之間安裝減速比為 10 的中間減速機。
- 當負載扭矩超過減速電機最大允許負載扭矩，并有堵轉情況存在時，請在減速箱輸出軸和負載連接處加裝扭矩限制裝置，確保齒輪減速箱正常運行。
- The speed is based on the synchronous motor speed reduction ratio as a benchmark calculated by dividing the value of. Actual speed will vary the size of the load changes in less than the values shown in 2~15%.
- Hope to the table of the reduction ratio is greater than the further reduction, it would be installed between the motor and the reducer reduction ratio of 10 the middle of the reducer.
- When the load torque exceeds the maximum allowable load torque gear motor, and a locked rotor situation exists, please slow down box at the junction of the output shaft and load torque limit device installed to ensure the normal operation gearbox.

圓軸型

Circular shaft type

5IK90(120)A-AF 5RK90(120)A-AF
 5IK90(120)A-CF 5RK90(120)A-CF
 5IK90(120)A-YF 5RK90(120)A-YF



結構：電動機 Structure: Electric motor
 重量：3.1kg Weight: 3.1kg

90GU帶端子箱型

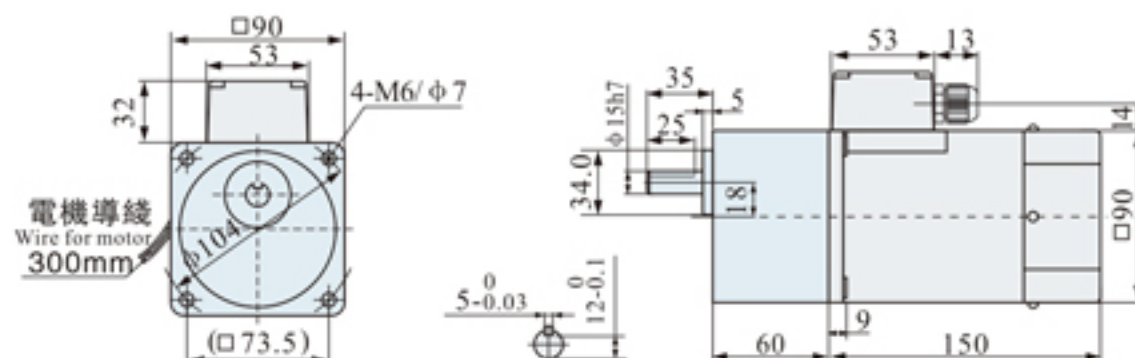
With terminal box type

5IK90(120)GU-AFT
 5IK90(120)GU-CFT
 5IK90(120)GU-U(Y)FT
 5IK90(120)GU-SFT

齒輪品名

Name of Gear 5GU□K

5RK90(120)GU-AFT
 5RK90(120)GU-CFT
 5RK90(120)GU-U(Y)FT
 5RK90(120)GU-SFT



結構：減速器+電動機+端子箱 Structure: Reducer+Electric motor+Terminal box
 重量：4.3kg Weight: 4.3kg
 減速比：1:3-1:500 Speed Reducing Ratio : 1:3-1:500

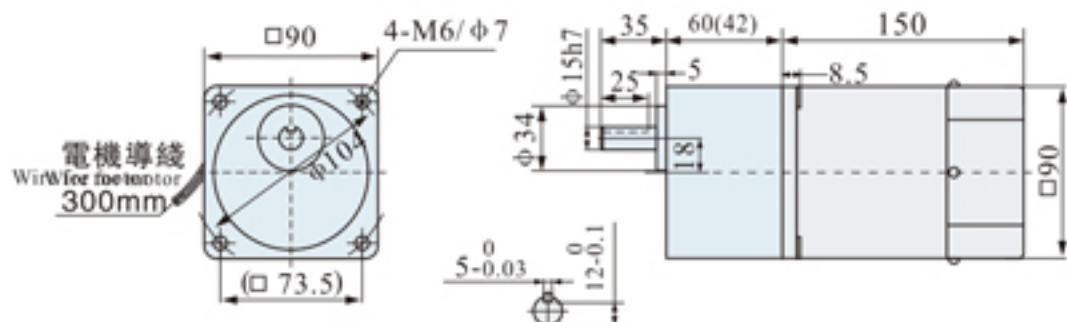
定速型

Optical axis type

齒輪品名

Name of Gear 5GU□K

5IK90(120)GU-AF 5RK90(120)GU-AF
 5IK90(120)GU-CF 5RK90(120)GU-CF
 5IK90(120)GU-U(Y)F 5RK90(120)GU-U(Y)F
 5IK90(120)GU-SF 5RK90(120)GU-SF



結構：減速器+電動機 Structure: Reducer+Electric motor
 重量：3.8kg Weight: 3.8kg
 減速比：1:3-1:500 Speed Reducing Ratio : 1:3-1:500

剎車定速型

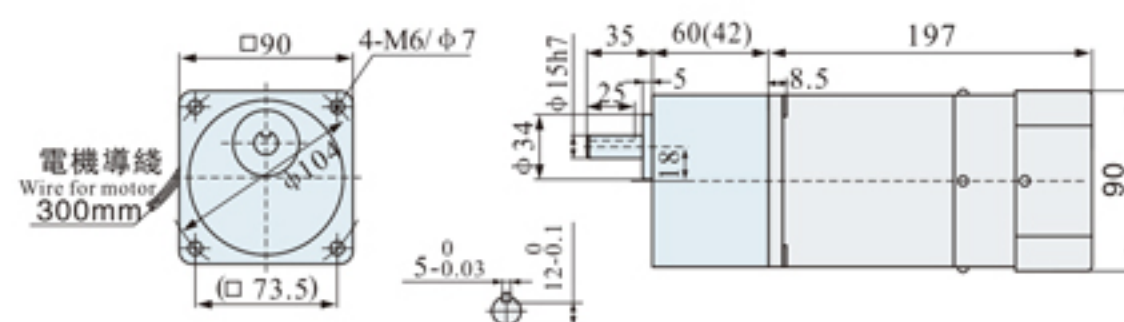
Brake Optical axis type

5IK90(120)GU-AFM
 5IK90(120)GU-CFM
 5IK90(120)GU-U(Y)FM
 5IK90(120)GU-SFM

齒輪品名

Name of Gear 5GU□K

5RK90(120)GU-AFM
 5RK90(120)GU-CFM
 5RK90(120)GU-U(Y)FM
 5RK90(120)GU-SFM



結構：減速器+電動機+剎車器 Structure: Reducer+Electric motor+Brake
 重量：4kg Weight: 4kg
 減速比：1:3-1:500 Speed Reducing Ratio : 1:3-1:500

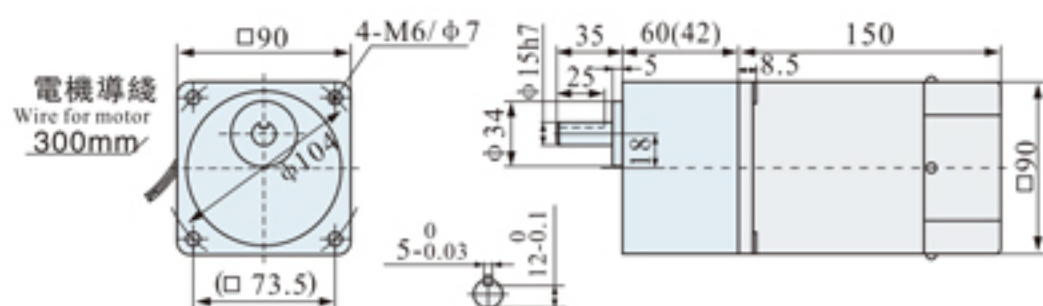
調速型

Speed regulation type

齒輪品名

Name of Gear 5GU□K

5IK90(120)RGU-AF 5RK90(120)RGU-AF
 5IK90(120)RGU-CF 5RK90(120)RGU-CF



結構：減速器+電動機+調速器 Structure: Reducer+Electric motor+Speed governor
 重量：3.9kg Weight: 3.9kg
 減速比：1:3-1:500 Speed Reducing Ratio : 1:3-1:500

剎車調速型

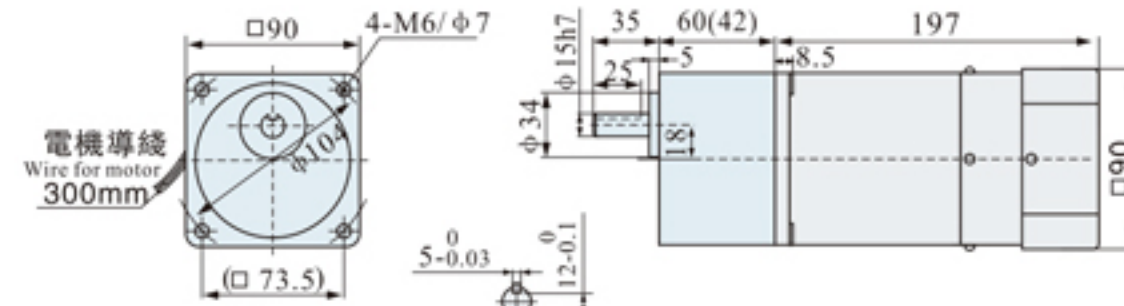
Brake Speed regulation type

5IK90(120)RGU-AFM
 5IK90(120)RGU-CFM

齒輪品名

Name of Gear 5GU□K

5RK90(120)RGU-AFM
 5RK90(120)RGU-CFM



結構：減速器+電動機+剎車器+調速器 Structure: Reducer+Electric motor+Brake+Speed governor
 重量：4.1kg Weight: 4.1kg
 減速比：1:3-1:500 Speed Reducing Ratio : 1:3-1:500

90/120W

 90mm


電機特性

List of motor characteristics

電機型號 Motor model	規格 Specs	輸出功率 Output Power W	電源電壓 Voltage V	頻率 Frequency Hz	電流 Current A	起動扭矩 Starting Torque		額定扭矩 Rated Torque		額定轉速 Rated Revolution r/min	電容容量/耐壓 Capacity/Ve μF/VAC
						mN.m	gf.cm	mN.m	gf.cm		
5IK90GU-CF 5IK90A-CF	感應 Induction	90	單相 1-phase 220	50	0.62	837	8370	670	6700	1350	5/450
60				0.60	692	6920	554	5540	1550	5/450	
5RK90GU-CF 5RK90A-CF	可逆 Reversible			50	0.68	837	8370	670	6700	1350	6/450
60				0.72	692	6920	554	5540	1550	6/450	
5IK90GU-AF 5IK90A-AF	感應 Induction	90	單相 1-phase 110	50	1.25	837	8370	670	6700	1350	20/250
60				1.2	692	6920	554	5540	1550	18/250	
5RK90GU-AF 5RK90A-AF	可逆 Reversible			50	1.38	837	8370	670	6700	1350	24/250
60				1.5	692	6920	554	5540	1550	24/250	
5IK90GU-UF 5IK90A-UF	—	90	三相 3-phase 380	50	0.32	837	8370	670	6700	1350	—
60				0.3	692	6920	554	5540	1500	—	
5RK90GU-SF 5RK90A-SF	—	90	三相 3-phase 220	50	0.55	837	8370	670	6700	1350	—
60				0.48	692	6920	554	5540	1500	—	
5IK120GU-CF 5IK120A-CF	感應 Induction	120	單相 1-phase 220	50	0.85	1137	11370	910	9100	1350	6/450
60				0.82	955	9550	764	7640	1500	6/450	
5RK120GU-CF 5RK120A-CF	可逆 Reversible			50	0.95	1137	11370	910	9100	1350	8/450
60				1.0	955	9550	764	7640	1500	8/450	
5IK120GU-AF 5IK120A-AF	感應 Induction	120	單相 1-phase 110	50	1.7	1137	11370	910	9100	1350	24/250
60				1.65	955	9550	764	7640	1500	24/250	
5RK120GU-AF 5RK120A-AF	可逆 Reversible			50	1.9	1137	11370	910	9100	1350	30/250
60				2.1	955	9550	764	7640	1500	30/250	
5RK120GU-UF 5RK120A-UF	—	120	三相 3-phase 380	50	0.34	1137	11370	910	9100	1350	—
60				0.31	955	9550	764	7640	1500	—	
5RK120GU-SF 5RK120A-SF	—	120	三相 3-phase 220	50	0.59	1137	11370	910	9100	1350	—
60				0.54	955	9550	764	7640	1500	—	

- 上表參數是指電機單體，不附加任何負荷裝置。
- 電機額定轉速、額定電流允許在±5%範圍內變動。

- Parameters in above table refer to motor alone, without any load device.
- Permissible change in rated speed and rated current of the motor is within the range of ±5%.

減速電機允許負載

Allowable load for the gear motor

減速參數 Geared-down parameter	同步轉速r/mn Synchronous speed	500 300 250 200 150 120 100 75 60 50 45 37.5 30 25 20 15 12.5 10 8 7.5 6 5 3																						
		減速比 ratio																						
最大允許負載 Max allowable load	90W	kg.cm 15.7	26.5	31.5	39.4	52.5	65.7	71	94.6	118	141	170	189											200
	N.m	1.54	2.6	3.1	3.86	5.15	6.44	6.96	9.28	11.6	13.9	16.7	18.5											19.6
120W	kg.cm	21.5	36	42	54	70	87.57	98	126	148	189											200		
	N.m	2.11	3.52	4.13	5.28	6.88	8.59	9.6	12.4	14.5	18.5											19.6		

- 轉速是以電動機的同步轉速為基準除以減速比而算出的數值。實際轉速將隨負載大小變化而比所示數值減少2~15%左右。
- 希望以大于上表的減速比進一步減速時，可在電動機與減速機之間安裝減速比為10的中間減速機。
- 當負載扭矩超過減速電機最大允許負載扭矩，并有堵轉情況存在時，請在減速箱輸出軸和負載連接處加裝扭矩限制裝置，確保齒輪減速箱正常運行。

- The speed is based on the synchronous motor speed reduction ratio as a benchmark calculated by dividing the value of. Actual speed will vary the size of the load changes in less than the values shown in 2~15%.
- Hope to the table of the reduction ratio is greater than the further reduction, it would be installed between the motor and the reducer reduction ratio of 10 the middle of the reducer.

- When the load torque exceeds the maximum allowable load torque gear motor, and a locked rotor situation exists, please slow down box at the junction of the output shaft and load torque limit device installed to ensure the normal operation gearbox.

定速型

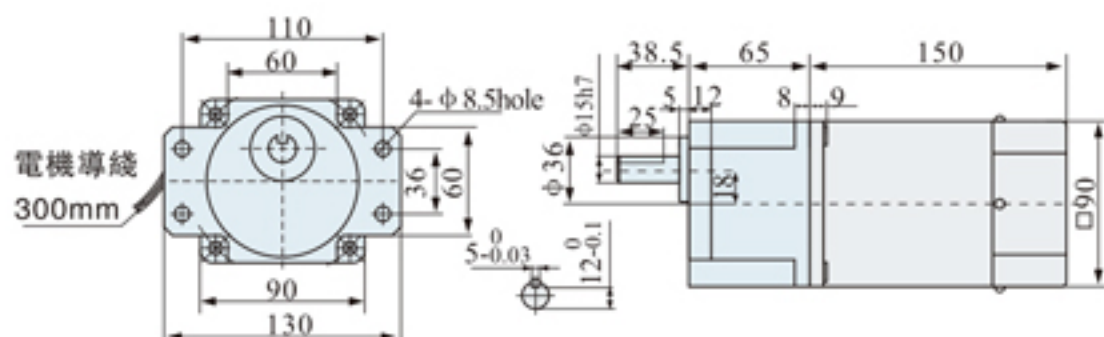
Optical axis type

齒輪品名

Name of Gear 5GS□K

5IK90(120)GU-AF
5IK90(120)GU-CF
5IK90(120)GU-U(Y)F
5IK90(120)GU-SF

5RK90(120)GU-AF
5RK90(120)GU-CF
5RK90(120)GU-U(Y)F
5RK90(120)GU-SF



結構：減速器+電動機
重量：4.4kg
減速比：1:3-1:500

Structure: Reducer+Electric motor
Weight: 4.4kg
Speed Reducing Ratio : 1:3-1:500

剎車定速型

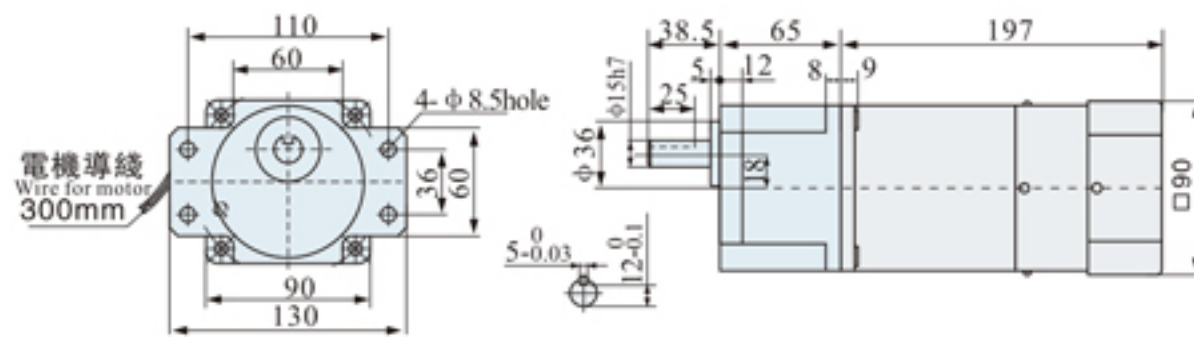
Brake Optical axis type

齒輪品名

Name of Gear 5GS□K

5IK90(120)GU-AFM
5IK90(120)GU-CFM
5IK90(120)GU-U(Y)FM
5IK90(120)GU-SFM

5RK90(120)GU-AFM
5RK90(120)GU-CFM
5RK90(120)GU-U(Y)FM
5RK90(120)GU-SFM



結構：減速器+電動機+剎車器
重量：4.9kg
減速比：1:3-1:500

Structure: Reducer+Electric motor+Brake
Weight: 4.9kg
Speed Reducing Ratio : 1:3-1:500

調速型

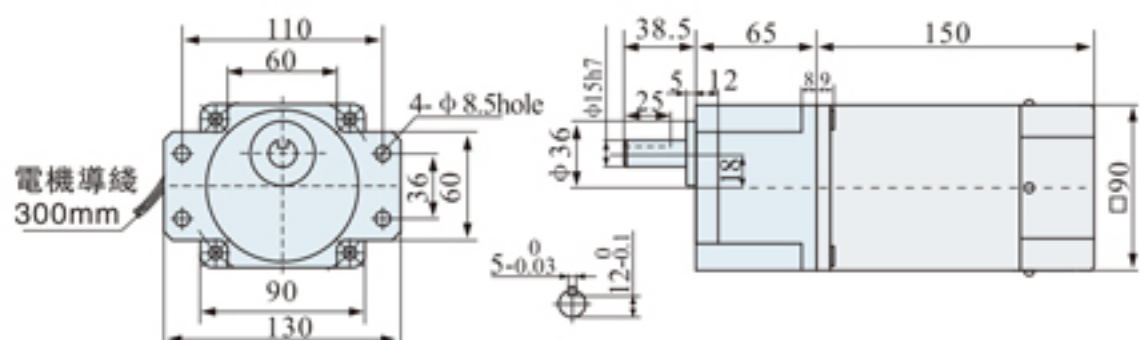
Speed regulation type

齒輪品名

Name of Gear 5GS□K

5IK90(120)RGU-AF
5IK90(120)RGU-CF

5RK90(120)RGU-AF
5RK90(120)RGU-CF



結構：減速器+電動機+調速器
重量：4.5kg
減速比：1:3-1:500

Structure: Reducer+Electric motor+Speed governor
Weight: 4.5kg
Speed Reducing Ratio : 1:3-1:500

剎車調速型

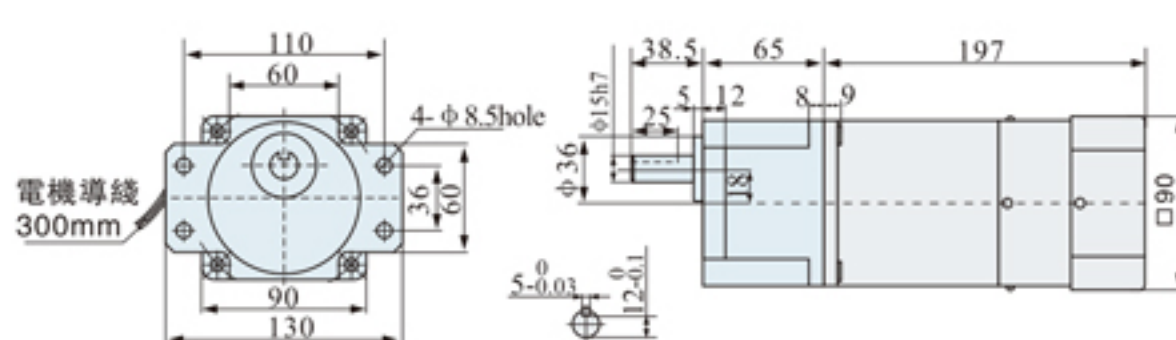
Brake Speed regulation type

齒輪品名

Name of Gear 5GS□K

5IK90(120)RGU-AFM
5IK90(120)RGU-CFM

5RK90(120)RGU-AFM
5RK90(120)RGU-CFM



結構：減速器+電動機+剎車器+調速器
重量：4.9kg
減速比：1:3-1:500

Structure: Reducer+Electric motor+Brake+Speed governor
Weight: 4.9kg
Speed Reducing Ratio : 1:3-1:500

帶端子箱型

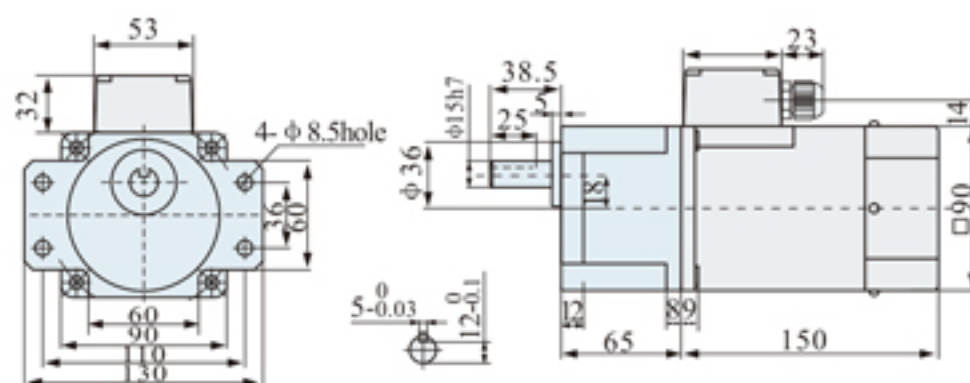
With terminal box type

齒輪品名

Name of Gear 5GS□K

5IK90(120)GU-AFT
5IK90(120)GU-CFT
5IK90(120)GU-U(Y)FT
5IK90(120)GU-SFT

5RK90(120)GU-AFT
5RK90(120)GU-CFT
5RK90(120)GU-U(Y)FT
5RK90(120)GU-SFT



結構：減速器+電動機+端子箱
Structure: Reducer+Electric motor+Terminal box

重量：4.5kg 減速比：1:3-1:500
Weight: 4.5kg Speed Reducing Ratio : 1:3-1:500