

25/30W

□ 80mm



電機特性

List of motor characteristics

電機型號 Motor model	規格 Specs	輸出功率 Output Power W	電源電壓 Voltage V	頻率 Frequency Hz	電流 Current A	起動扭矩 Starting Torque		額定扭矩 Rated Torque		額定轉速 Rated Revolution r/min	電容容量/耐壓 Capacity/Ve μF/VAC
						mN.m	gf.cm	mN.m	gf.cm		
4IK25GN-C 4IK25A-C	感應 Induction	25	單相 1-phase 220	50	0.22	231	2310	185	1850	1250	1.5/450
60				0.21	192	1920	154	1540	1550	1.5/450	
4RK25GN-C 4RK25A-C	可逆 Reversible			50	0.24	231	2310	185	1850	1250	2/450
60				0.26	192	1920	154	1540	1550	2/450	
4IK25GN-A 4IK25A-A	感應 Induction	25	單相 1-phase 110	50	0.48	231	2310	185	1850	1250	6/250
60				0.46	192	1920	154	1540	1550	6/250	
4RK25GN-A 4RK25A-A	可逆 Reversible			50	0.50	231	2310	185	1850	1250	8/250
60				0.56	192	1920	154	1540	1550	8/250	
4IK25GN-U 4IK25A-U	—	25	三相 3-phase 380	50	0.14	231	2310	185	1850	1250	—
60	0.12			192	1920	154	1540	1550	—		
4RK25GN-S 4RK25A-S	—	25	三相 3-phase 220	50	0.24	231	2310	185	1850	1250	—
60	0.225			192	1920	154	1540	1550	—		
4IK30GN-C 4IK30A-C	感應 Induction	30	單相 1-phase 220	50	0.28	275	2750	220	2200	1250	2.2/450
60				0.3	231	2310	185	1850	1550	2.2/450	
4RK30GN-C 4RK30A-C	可逆 Reversible			50	0.3	275	2750	220	2200	1250	2.5/450
60				0.32	231	2310	185	1850	1550	2.5/450	
4IK30GN-A 4IK30A-A	感應 Induction	30	單相 1-phase 110	50	0.58	275	2750	220	2200	1250	8/250
60				0.60	231	2310	185	1850	1550	8/250	
4RK30GN-A 4RK30A-A	可逆 Reversible			50	0.60	275	2750	220	2200	1250	10/250
60				0.65	231	2310	185	1850	1550	10/250	

- 上表參數是指電機單體，不附加任何負荷裝置。
- 電機額定轉速、額定電流允許在±5%範圍內變動。

- Parameters in above table refer to motor alone, without any load device.
- Permissible change in rated speed and rated current of the motor is within the range of ±5%.

減速電機允許負載

Allowable load for the gear motor

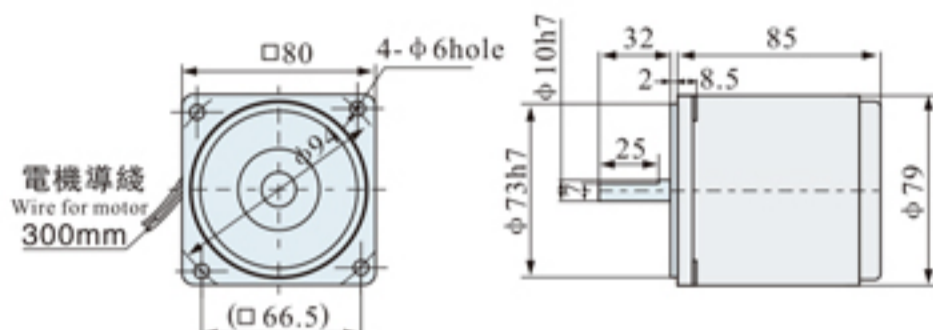
減速參數 Geared-down parameter	同步轉速r/mn Synchronous speed	500 300 250 200 150 120 100 83 75 60 50 40 35 30 25 20 15 12 10 8 7 6 5																									
		減速比i ratio																									
最大允許負載 Max allowable load	25W	kg.cm N.m	4.5 0.45	7.9 0.79	9.46 0.93	12 1.18	15.7 1.55	19 1.86	23 2.25	28.4 2.78	31.5 3.1	35 3.43	42 4.12	51.1 5.01	56.7 5.57	62 6.18	76.6 7.52	80 7.84									
	30W	kg.cm N.m	5.7 0.56	8.1 0.8	11.3 1.1	14.2 1.39	18.9 1.85	23.6 2.32	28.3 2.78	34 3.34	37.8 3.7	42.5 4.17	51.1 5.01	60.2 6.01	68.1 6.68	65.7 6.5	80 7.84										

- 轉速是以電動機的同步轉速為基準除以減速比而算出的數值。實際轉速將隨負載大小變化而比所示數值減少2~15%左右。
- 希望以大于上表的減速比進一步減速時，可在電動機與減速機之間安裝減速比為10的中間減速機。
- 當負載扭矩超過減速電機最大允許負載扭矩，并有堵轉情況存在時，請在減速箱輸出軸和負載連接處加裝扭矩限制裝置，確保齒輪減速箱正常運行。
- The speed is based on the synchronous motor speed reduction ratio as a benchmark calculated by dividing the value of. Actual speed will vary the size of the load changes in less than the values shown in 2~15%.
- Hope to the table of the reduction ratio is greater than the further reduction, it would be installed between the motor and the reducer reduction ratio of 10 the middle of the reducer.
- When the load torque exceeds the maximum allowable load torque gear motor, and a locked rotor situation exists, please slow down box at the junction of the output shaft and load torque limit device installed to ensure the normal operation gearbox.

圓軸型

Circular shaft type

4IK25A-A	4RK25A-A
4IK25A-C	4RK25A-C
4IK25A-Y	4RK25A-Y



結構：電動機
重量：1.5kg
Structure: Electric motor
Weight: 1.5kg

帶端子箱型

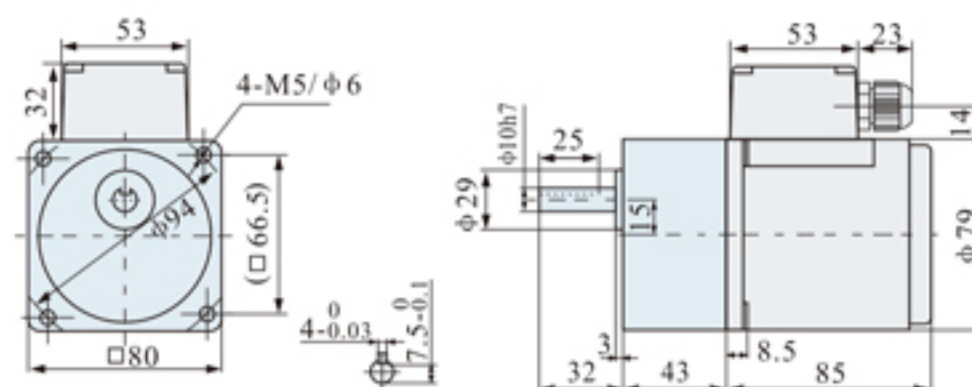
With terminal box type

齒輪品名

Name of Gear

4GN□K

4IK25GN-AT	4RK25GN-AT
4IK25GN-CT	4RK25GN-CT
4IK25GN-UT	4RK25GN-UT
4IK25GN-ST	4RK25GN-ST



結構：減速器+電動機+端子箱
重量：2.2kg
減速比：1:3-1:300
Structure: Reducer+Electric motor+Terminal box
Weight: 2.2kg
Speed Reducing Ratio : 1:3-1:300

定速型

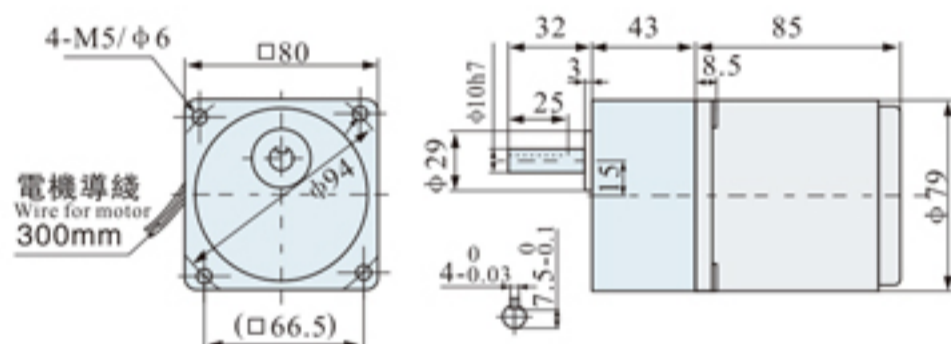
Optical axis type

齒輪品名

Name of Gear

4GN□K

4IK25GN-A	4RK25GN-A
4IK25GN-C	4RK25GN-C
4IK25GN-CZ	4RK25GN-CZ
4IK25GN-Y	4RK25GN-Y



結構：減速器+電動機
重量：2.1kg
減速比：1:3-1:300
Structure: Reducer+Electric motor
Weight: 2.1kg
Speed Reducing Ratio : 1:3-1:300

調速型

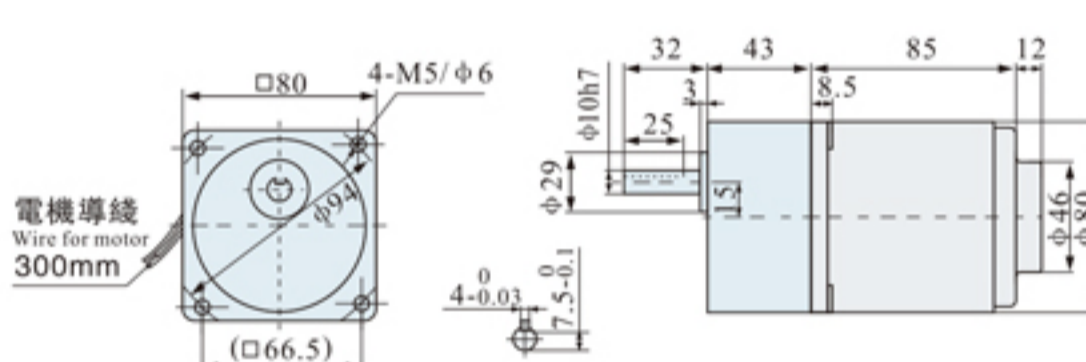
Speed regulation type

齒輪品名

Name of Gear

4GN□K

4IK25RGN-A	4RK25RGN-A
4IK25RGN-C	4RK25RGN-C



結構：減速器+電動機+調速器
重量：2.2kg
減速比：1:3-1:300
Structure: Reducer+Electric motor+Speed governor
Weight: 2.2kg
Speed Reducing Ratio : 1:3-1:300

剎車定速型

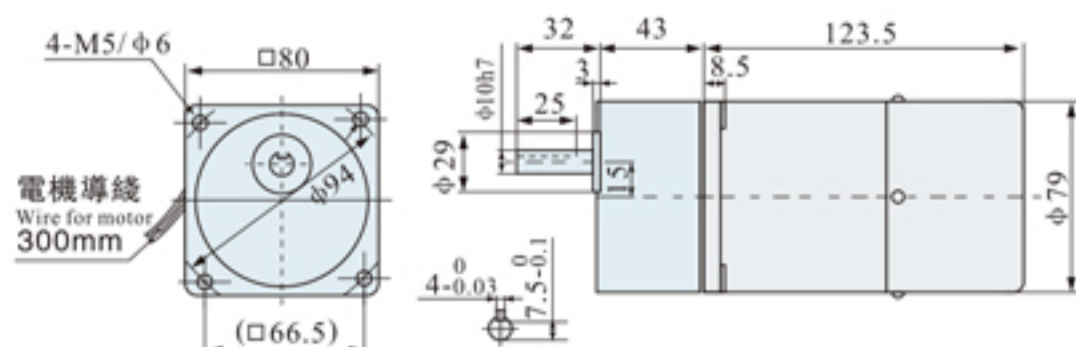
Brake Optical axis type

齒輪品名

Name of Gear

4GN□K

4IK25GN-AM	4RK25GN-AM
4IK25GN-CM	4RK25GN-CM
4IK25GN-YM	4RK25GN-YM



結構：減速器+電動機+剎車器
重量：2.4kg
減速比：1:3-1:300
Structure: Reducer+Electric motor+Brake
Weight: 2.4kg
Speed Reducing Ratio : 1:3-1:300

剎車調速型

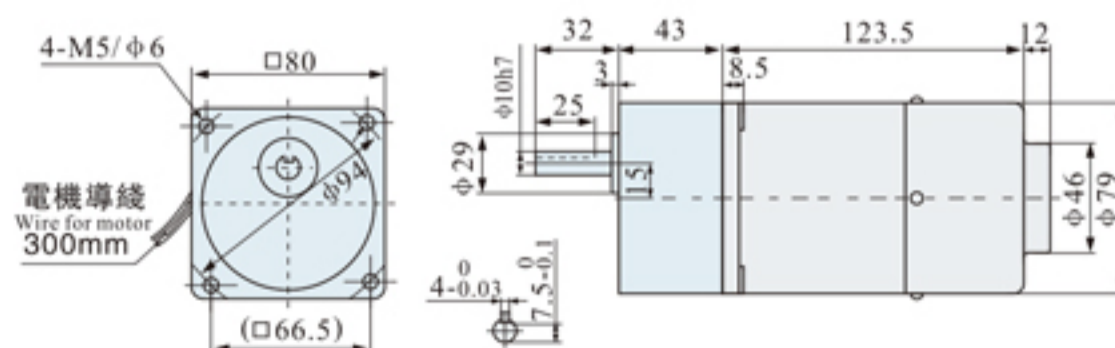
Brake Speed regulation type

齒輪品名

Name of Gear

4GN□K

4IK25RGN-AM	4RK25RGN-AM
4IK25RGN-CM	4RK25RGN-CM



結構：減速器+電動機+剎車器+調速器
重量：2.5kg
減速比：1:3-1:300
Structure: Reducer+Electric motor+Brake+Speed governor
Weight: 2.5kg
Speed Reducing Ratio : 1:3-1:300