

# 6/10W

□60mm



## 電機特性

List of motor characteristics

| 電機型號<br>Motor model | 規格<br>Specs       | 輸出功率<br>Output Power<br>W | 電源電壓<br>Voltage<br>V | 頻率<br>Frequency<br>Hz | 電流<br>Current<br>A | 起動扭矩<br>Starting Torque<br>mN.m | 額定扭矩<br>Rated Torque<br>mN.m | 額定轉速<br>Rated<br>Revolution<br>r/min | 電容容量/耐壓<br>Capacity/Ve<br>μF/VAC |
|---------------------|-------------------|---------------------------|----------------------|-----------------------|--------------------|---------------------------------|------------------------------|--------------------------------------|----------------------------------|
| 2RK-6GN-A           | 可逆式<br>Reversible | 6                         | 單相<br>1-phase<br>110 | 50                    | 0.26               | 60                              | 47                           | 1200                                 | 4μF/250V                         |
| 2IK-6GN-A           | 感應<br>Induction   |                           |                      | 60                    | 0.23               | 55                              | 38                           | 1450                                 |                                  |
| 2RK-6GN-C           | 可逆式<br>Reversible | 6                         | 單相<br>1-phase<br>220 | 50                    | 0.14               | 55                              | 48                           | 1200                                 | 1.0μF/450V                       |
| 2IK-6GN-C           | 感應<br>Induction   |                           |                      | 60                    | 0.13               | 50                              | 48                           | 1200                                 |                                  |
| 2RK-10GN-C          | 可逆式<br>Reversible | 10                        | 單相<br>1-phase<br>220 | 50                    | 0.2                | 80                              | 79                           | 1200                                 | 1.0μF/450V                       |
| 2IK-10GN-C          | 感應<br>Induction   |                           |                      | 60                    | 0.23               | 75                              | 69                           | 1450                                 |                                  |
| 2RK-10GN-A          | 可逆式<br>Reversible | 10                        | 單相<br>1-phase<br>110 | 50                    | 0.16               | 80                              | 79                           | 1200                                 | 4.5μF/250V                       |
| 2IK-10GN-A          | 感應<br>Induction   |                           |                      | 60                    | 0.2                | 75                              | 69                           | 1450                                 |                                  |
| 2RK-10GN-A          | 可逆式<br>Reversible | 10                        | 單相<br>1-phase<br>110 | 50                    | 0.28               | 85                              | 78                           | 1200                                 | 4.5μF/250V                       |
| 2IK-10GN-A          | 感應<br>Induction   |                           |                      | 60                    | 0.31               | 80                              | 71                           | 1450                                 |                                  |
| 2IK-10GN-A          | 感應<br>Induction   | 10                        | 110                  | 50                    | 0.25               | 85                              | 78                           | 1200                                 | 4.5μF/250V                       |
| 2IK-10GN-A          | 感應<br>Induction   | 10                        | 110                  | 60                    | 0.29               | 80                              | 71                           | 1450                                 | 4.5μF/250V                       |

● 上表參數是指電機單獨，不附加任何負荷裝置。  
● 電機額定轉速、額定電流允許在±5%範圍內變動。

● Parameters in above table refer to motor alone, without any load device.  
● Permissible change in rated speed and rated current of the motor is within the range of ±5%.

## 減速電機允許負載

Allowable load for the gear motor

| 減速參數<br>Geared-down<br>parameter | 同步轉速r/mn<br>Synchronous speed | 減速比i<br>ratio |     |      |      |      |     |     |     |      |      |      |      |      |      |      |      |      |      |      |      |    |     |     |  |
|----------------------------------|-------------------------------|---------------|-----|------|------|------|-----|-----|-----|------|------|------|------|------|------|------|------|------|------|------|------|----|-----|-----|--|
|                                  |                               | 500           | 417 | 300  | 250  | 200  | 150 | 120 | 100 | 83   | 75   | 60   | 50   | 41   | 37   | 30   | 25   | 20   | 16   | 15   | 12.5 | 10 | 8.3 | 7.5 |  |
| 最大允許負載<br>Max allowable<br>load  | 6W                            | kg.cm<br>N.m  | 1.3 | 1.6  | 2.32 | 2.67 | 3.3 | 4.5 | 5.5 | 6.2  | 7.3  | 8.1  | 9.7  | 11.2 | 13.8 | 15.2 | 17.1 | 21.2 | 25.3 | 29.6 | 3.0  |    |     |     |  |
|                                  | 10W                           | kg.cm<br>N.m  | 2.1 | 2.51 | 3.42 | 4.1  | 5.3 | 6.7 | 8.7 | 10.1 | 11.6 | 12.9 | 16.2 | 19.2 | 23.1 | 26.2 | 28.2 | 3.0  |      |      |      |    |     |     |  |

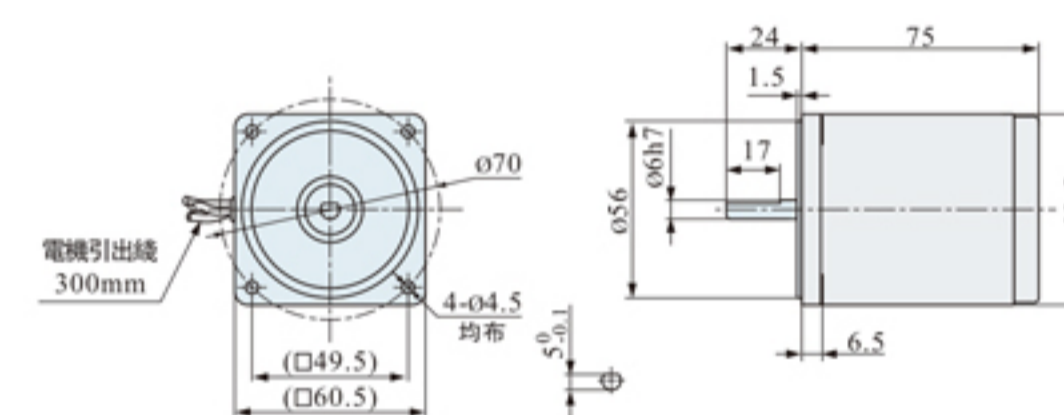
● 轉速是以電動機的同步轉速為基準除以減速比而算出的數值。實際轉速將隨負載大小變化而比所示數值減少2~15%左右。  
● 希望以大于上表的減速比進一步減速時，可在電動機與減速機之間安裝減速比為10的中間減速機。  
● 當負載扭矩超過減速電機最大允許負載扭矩，并有堵轉情況存在時，請在減速箱輸出軸和負載連接處加裝扭矩限制裝置，確保齒輪減速箱正常運行。

● The speed is based on the synchronous motor speed reduction ratio as a benchmark calculated by dividing the value of. Actual speed will vary the size of the load changes in less than the values shown in 2~15%.  
● Hope to the table of the reduction ratio is greater than the further reduction, it would be installed between the motor and the reducer reduction ratio of 10 the middle of the reducer.  
● When the load torque exceeds the maximum allowable load torque gear motor, and a locked rotor situation exists, please slow down box at the junction of the output shaft and load torque limit device installed to ensure the normal operation gearbox.

## 圓軸型

Circular shaft type

2IK-6A-C      2RK-6A-C  
2IK-6A-A      2RK-6A-C



結構：電動機  
重量：0.85kg

Structure: Electric motor  
Weight: 0.85kg

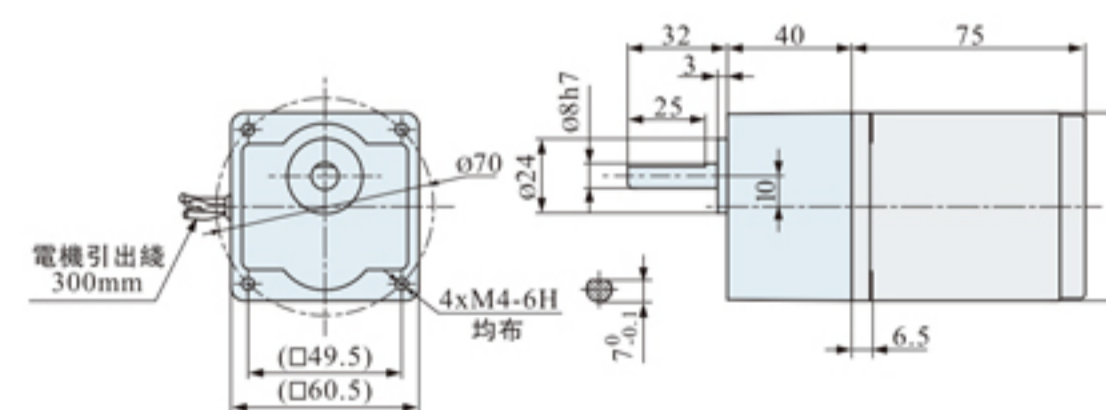
## 定速型

Optical axis type

## 齒輪品名

Name of Gear 2GN □K

2IK-6GN-C      2RK-6GN-C  
2IK-6GN-A      2RK-6GN-A



結構：減速器+電動機  
重量：1.17kg  
減速比：1:3-1:200

Structure: Reducer+Electric motor  
Weight: 1.17kg  
Speed Reducing Ratio: 1:3-1:200

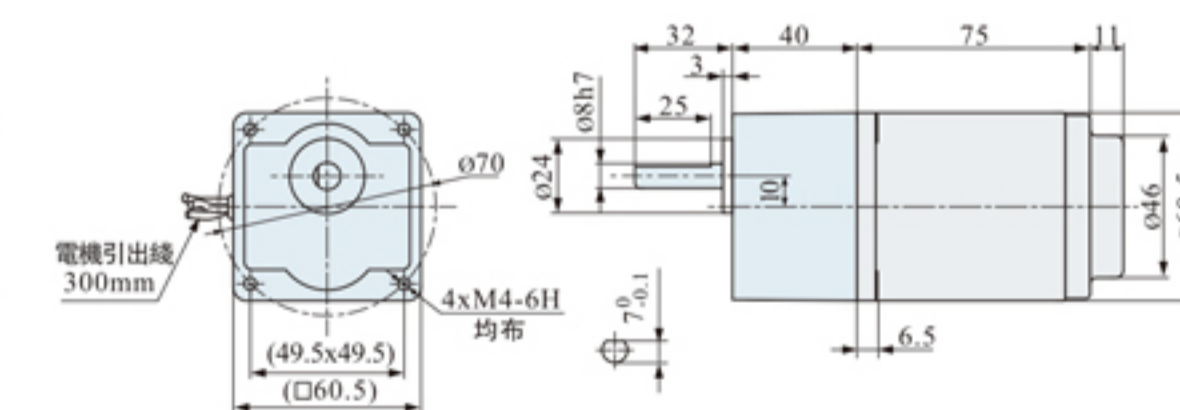
## 調速型

Speed regulation type

## 齒輪品名

Name of Gear 2GN □K

2IK-6RGN-C      2RK-6RGN-C  
2IK-6RGN-A      2RK-6RGN-A



結構：減速器+電動機+調速器  
重量：1.2kg  
減速比：1:3-1:200

Structure: Reducer+Electric motor+Speed governor  
Weight: 1.2kg  
Speed Reducing Ratio: 1:3-1:200